

Installation Guide

This procedure is designed as an installation aid. Skilled tradespeople that are familiar with general construction and electrical installation techniques should perform the installation. Licensed electricians should provide electrical installation connections. Installations and connections should be done in accordance with all national and local codes and permits. In no way is this document intended to construe warranty or fitness of use of the products described, nor is it intended to provide safety instruction for those installing the product.

⚡ WARNING

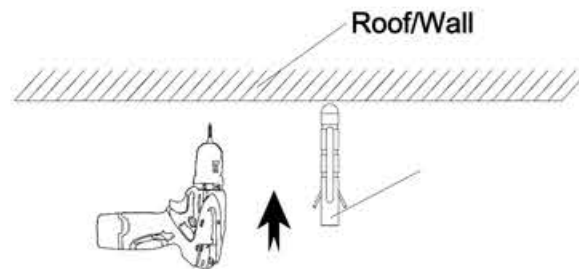
Before proceeding with installation or service maintenance of this product.

- Disconnect power to reduce electrical shock risk.
- Review the entire Installation Guide.
- Inspect this properly packaged product for any damage that may have occurred during transit.
- Verify product application complies with manufacturer design recommendations.
- Verify the availability of necessary tools and incidental material.
- Verify applicable code requirements. Field assembly and installation are subject to acceptance by local inspection authority.
- Appropriate safety equipment to be determined by end user, per applicable safety standards and precautions.

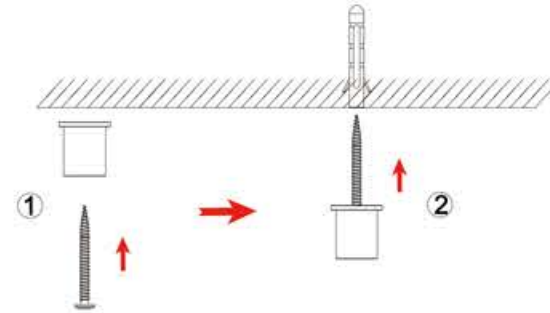
Installation Procedure

TYPE-S (String Mount)

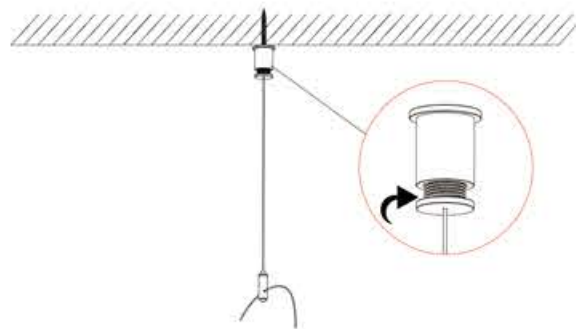
1. Drill holes with a tool and insert the plastic expansion tube as shown below:



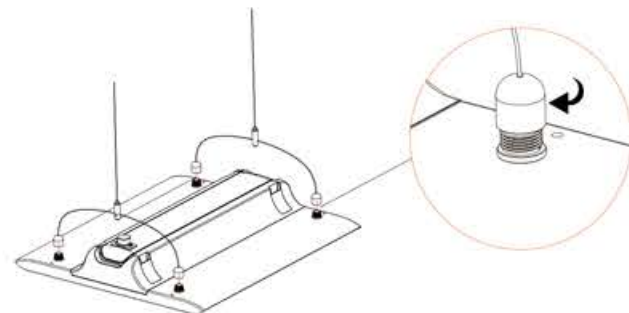
2. Drill holes with tools and insert the plastic expansion tube. Combine the self-locking screw with the fixed female head and screw in the plastic expansion tube at the same time, as shown below:



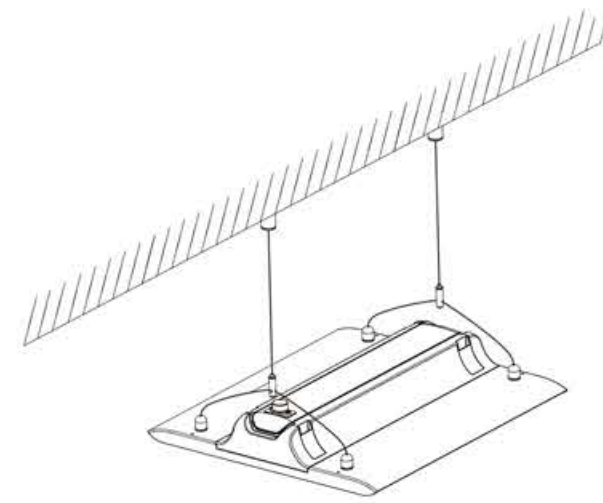
3. Screw the fixed male head at the top of the hanging rope into the fixed female head, as shown in the figure below:



4. Screw the fixed female head at the bottom of the hanging rope into the installed male head of the lamp, as shown below:

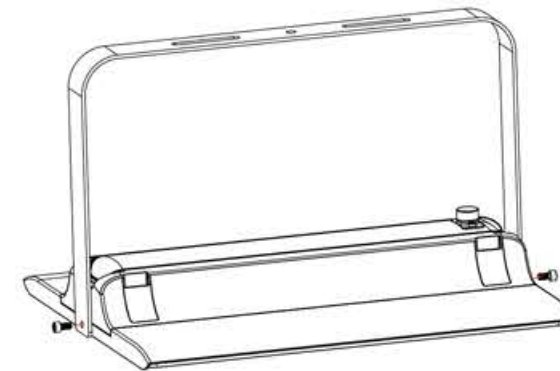


5. Installation finished, as shown below:

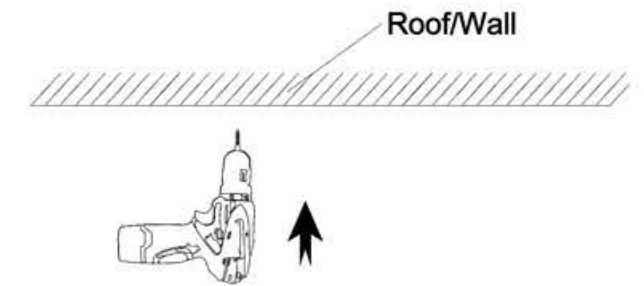


TYPE-U (U-bracket Mount)

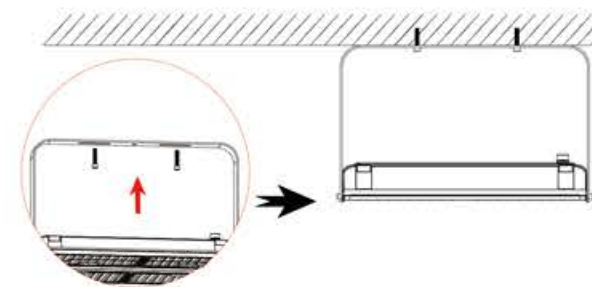
1. Align the hole position of the bracket with the hole position of the fixture and tighten the screws, as shown below:



2. Punch holes with tools as shown below:



3. The bracket and fixture body are locked with screws as shown below:



4. Tighten the screws to complete the installation, as shown below:

