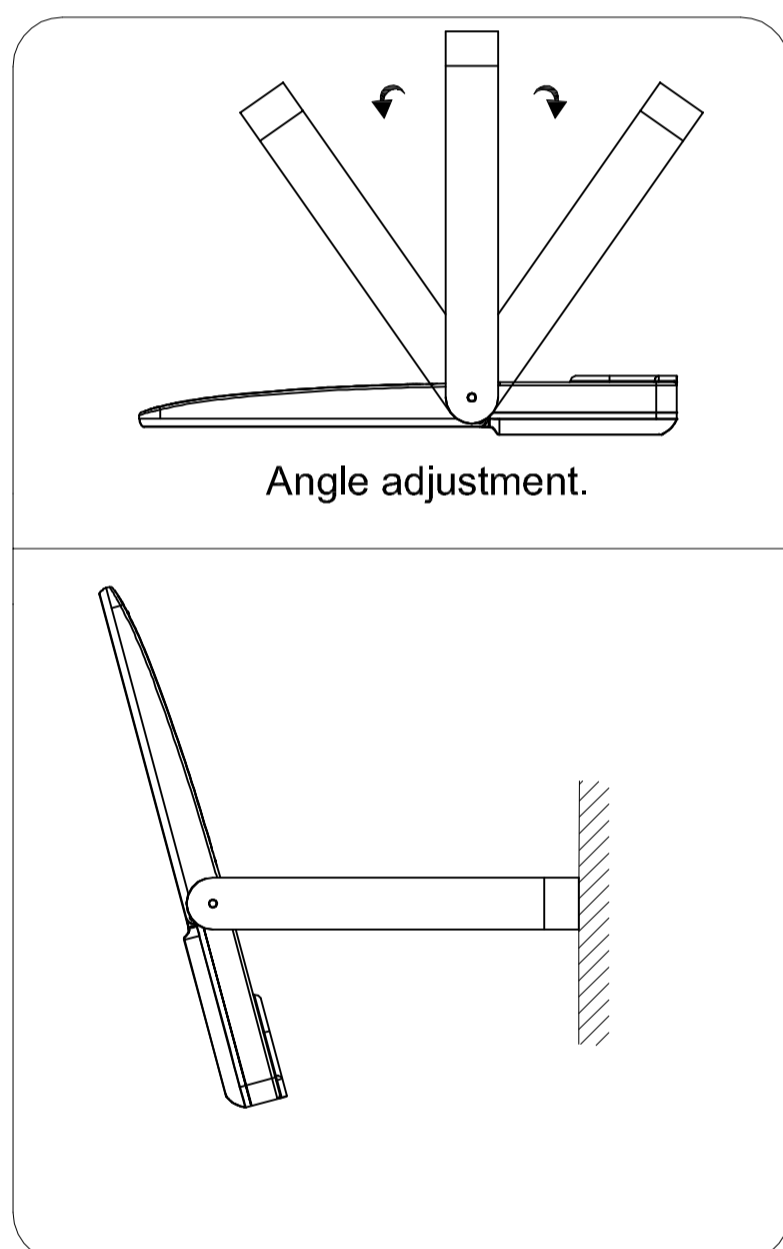
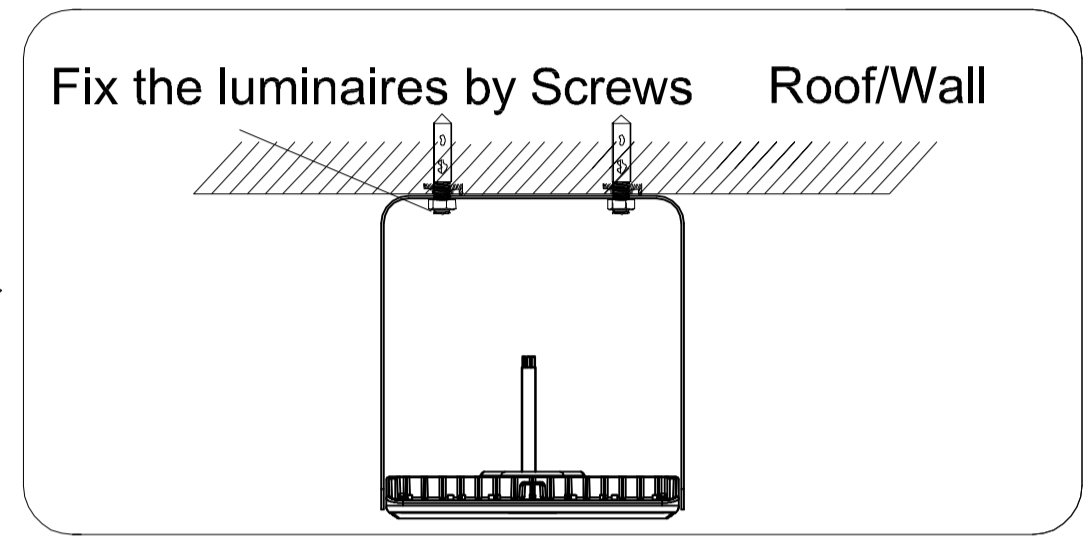
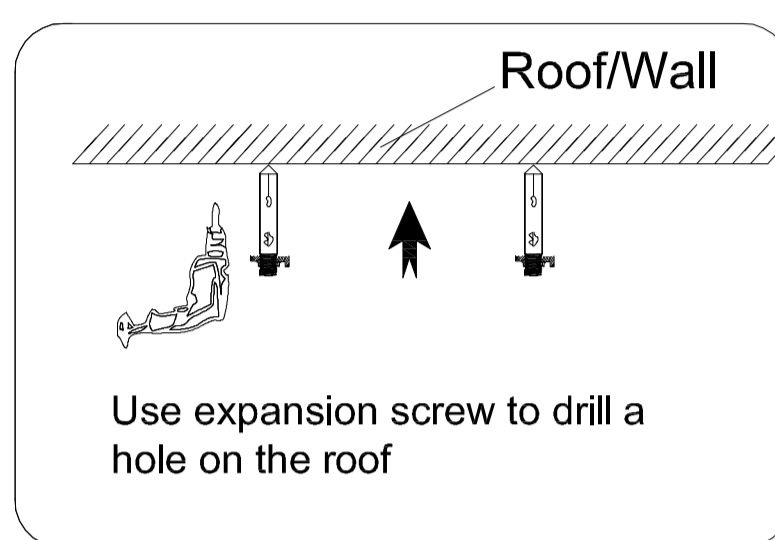
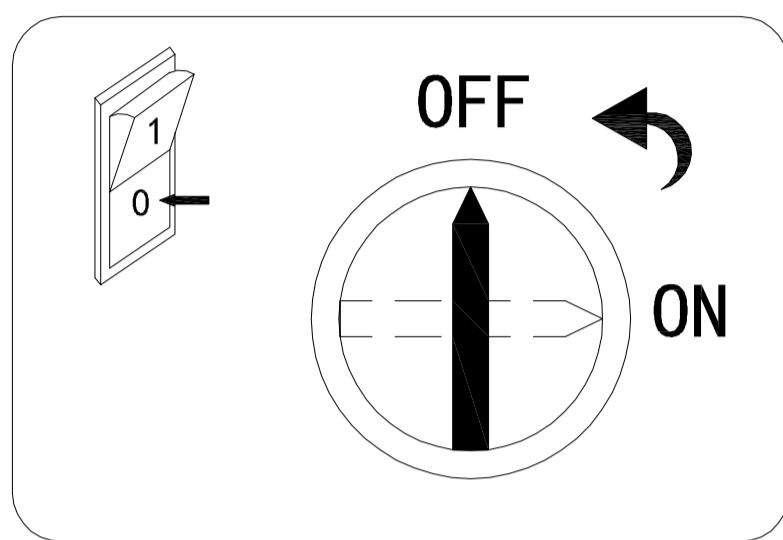


LED Parking Lot Light Installation Instruction

Check whether it concerns an AC(Alternating Current)based or DC(Direct Current) based system

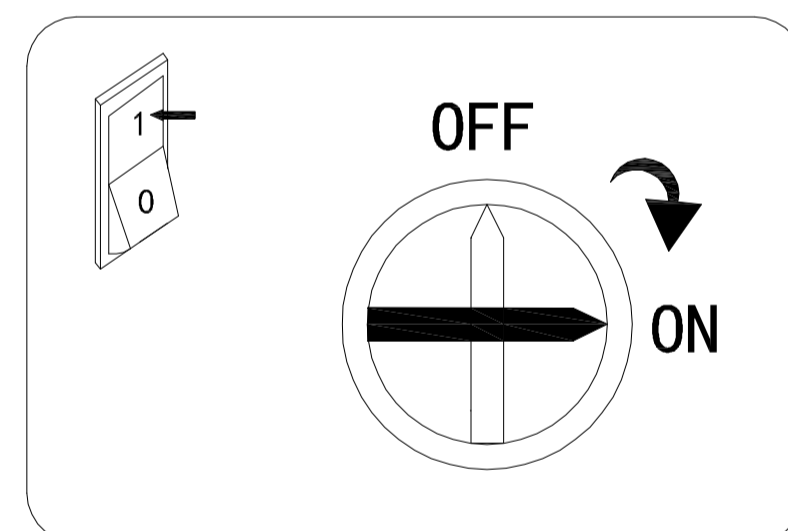
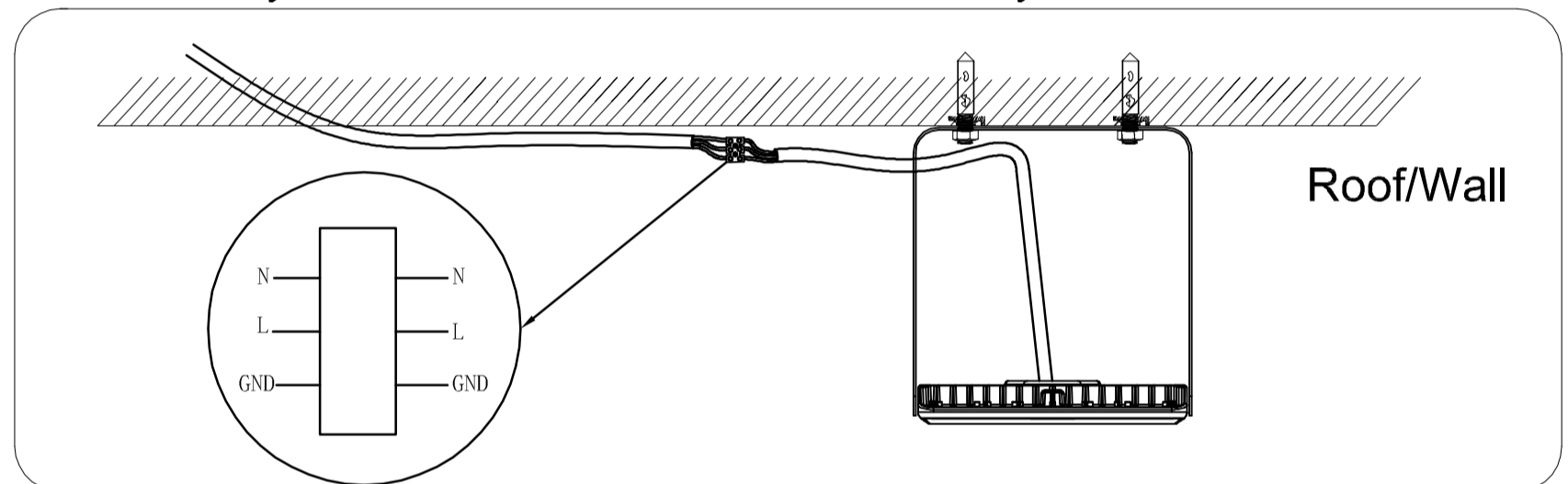
⚠ Caution:
Switch Off the Power Supply

New Installation



AC Based System

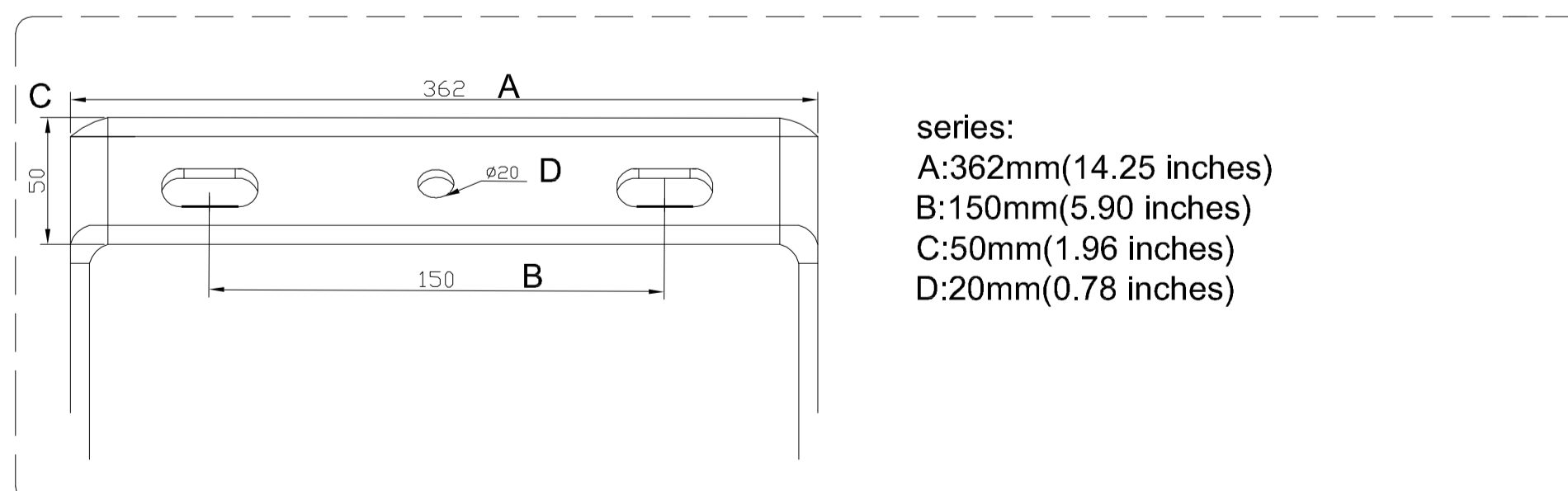
DC Based System



⚠ Caution:

1. Turn power Off During Installation.
2. There will be risk of fire if the power is not cut off.

Bracket dimension



Packing List

LED Parking Lot Light :1PCS
Quick Installation Guide:1PCS

The product (LED lighting equipment, electrical , electronic equipment) should not be placed in municipal waste. Check local regulations for disposal of electronic products.

& Features and specifications are subject to change without notice.

& The product color may be different with actual due to discrepancy of camera or screen settings.